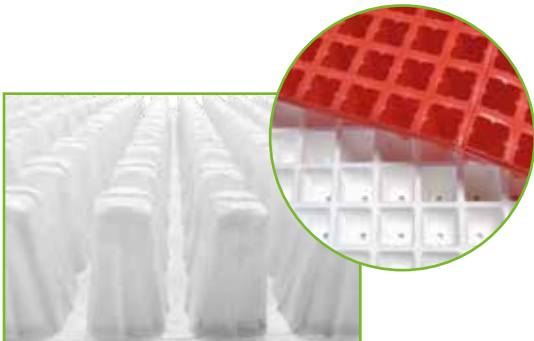


NURSERY COVERS 150L



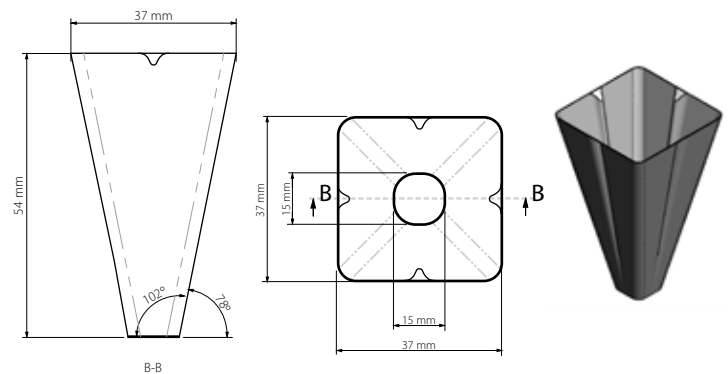
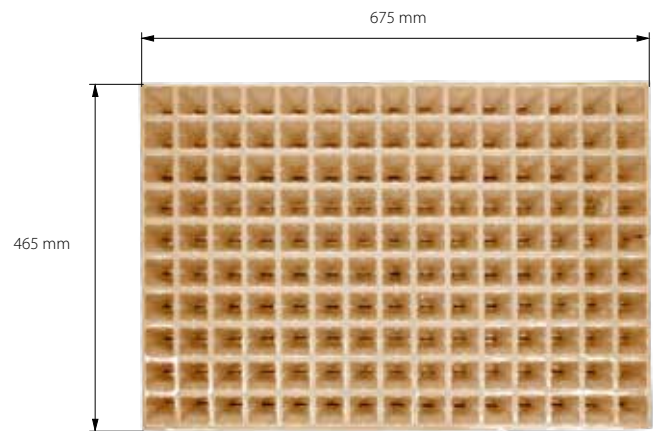
BENEFITS:

- ✓ Reduces tray disinfection costs
- ✓ Reduces breakage and **increases the durability** of seed trays
- ✓ **Reduces losses and misplacements**, by getting the farmer to transport the cover to the field and leave the tray in the seedbed
- ✓ **Lower probability of virus transmission** between campaigns
- ✓ Possibility of manufacturing in **various colors** for the distinction among varieties



Greenvass nursery covers offer a design that supports use in planting machines.

Comes in various models and colors.
Made of polyethylene terephthalate (PET).



Capacity	Units/box	Palletizing
29,4 cm ³	250	24 boxes/pallet (6.000 units/pallet) Pallets/truck: 24 (144.000 units/truck)



Company certified ISO 9001
This standard focuses on customer satisfaction and the ability to provide products and services that meet the internal and external requirements of the organization.



C/ San Pancracio, 8
30835 Sangonera la Seca
MURCIA (Spain)
+34 968 80 90 47
greenvass.com
info@greenvass.com